

Rail Kit RKS-03

Quick Installation Guide

Prepare For Installation

- Register your Synology product at account.synology.com
- For technical support, visit www.synology.com/support

Warranty Notice

The warranty period starts from the purchase date stated on your receipt or invoice, so we recommend you keep your purchase receipt or invoice in a safe place. For more information, please visit www.synology.com/company/legal/warranty

Please read this section carefully before installing the rail kit.

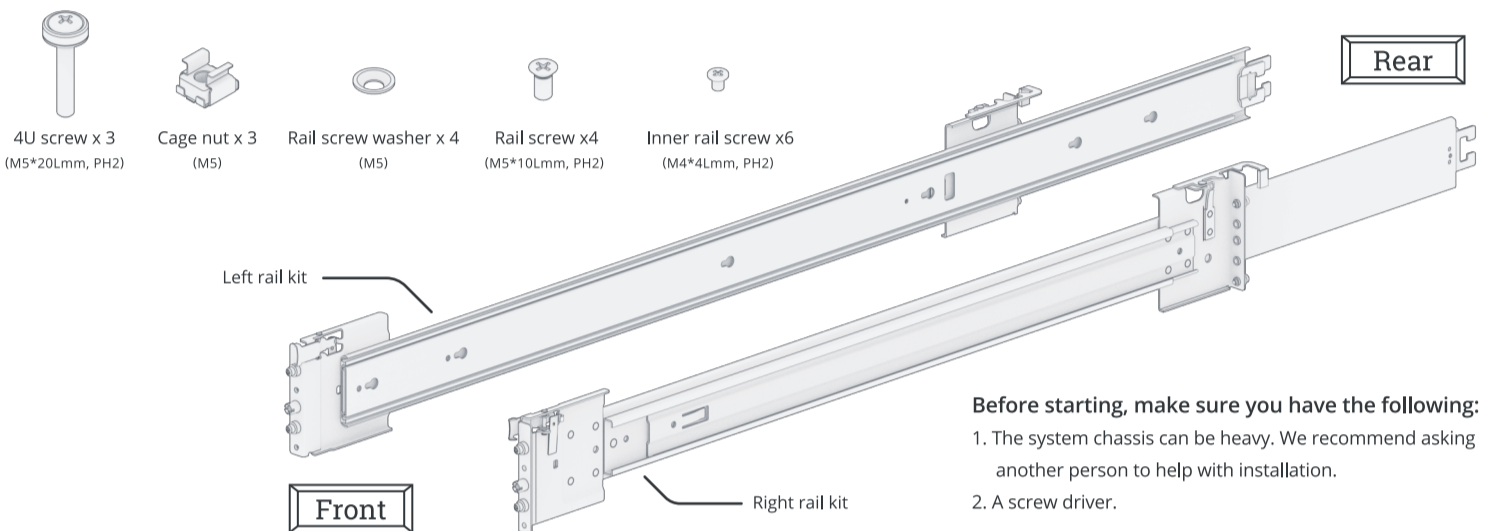
- Choosing a setup location:
 - The server chassis should be in a clean, dust-free, and well-ventilated environment. Avoid areas where heat, electrical noise, or electromagnetic fields are generated.
 - Leave enough clearance (about 25 inches) in front of the rack so you can open the front door completely.
 - Leave enough of clearance (about 30 inches) on the back of the rack to allow sufficient space for airflow and access when servicing.
 - This product should only be installed in restricted access locations, such as dedicated equipment rooms or service closets.
- Rack precautions:
 - Make sure to read the installation instructions before sliding the rack out.
 - Make sure that the leveling jacks on the bottom of the rack are extended to the floor so the full weight of the rack rests on them.
 - Do not put any objects on top of slide rail mounted equipment.
 - Do not leave slide rail mounted equipment unattended while it is extended.

Warning!

Stability hazard:

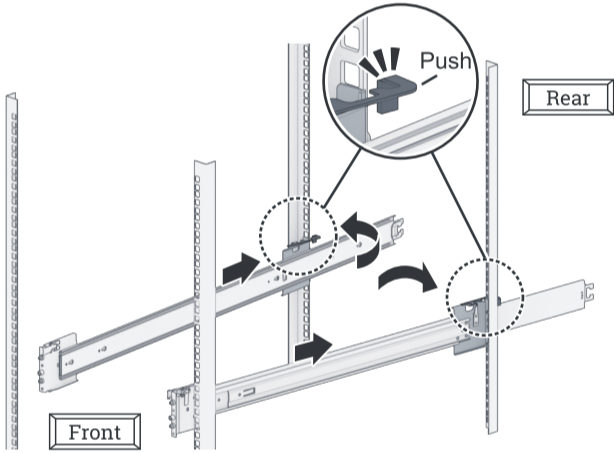
- Before sliding the unit out for servicing, the rack-stabilizing mechanism must be in-place or the rack must be bolted to the floor.
- The rack may tip over, causing equipment/property damage or serious personal injury.

Package Content

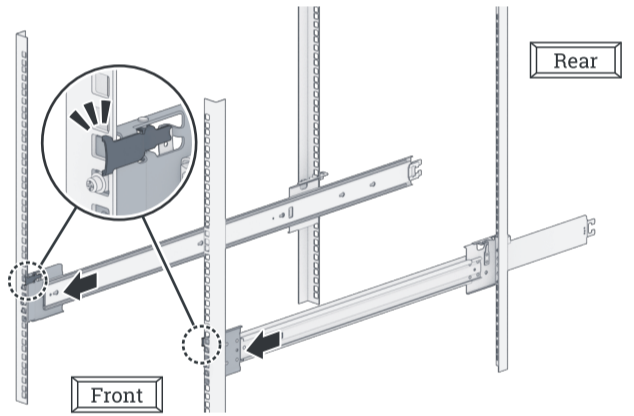


Installation

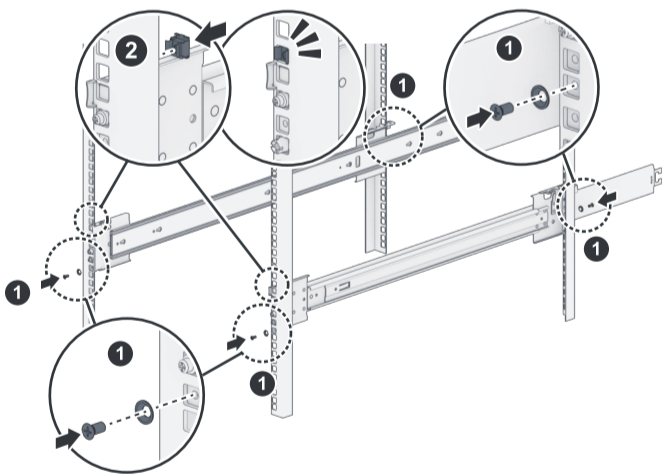
- 01** Install the rail kit to the rack:
Attach the rear end of the rail kit assembly to the rack.



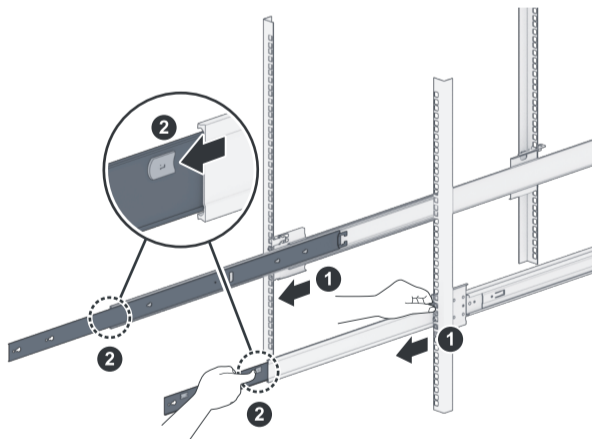
- 02** Slide the front latch outward and insert the brackets into the rack holes.



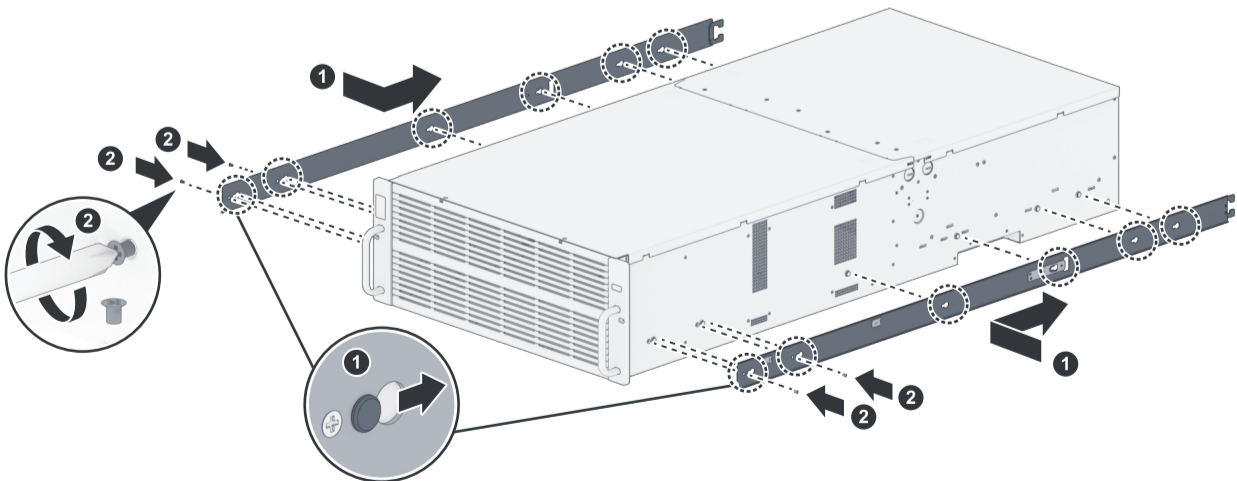
- 03** Secure the rail screws with screw washer and install cage nuts as illustrated.



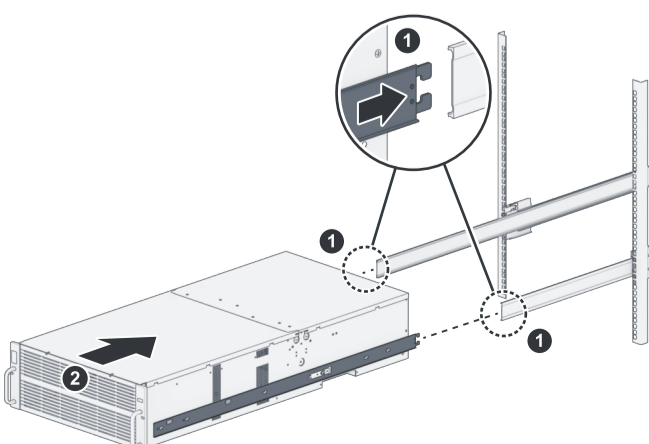
- 04** Extend the inner rail:
1 Fully extend the inner rail outwards until you hear a click sound.
2 Pull and hold the rear latch on the inner rail, as illustrated, and continue to pull out the inner rail from the assembly.



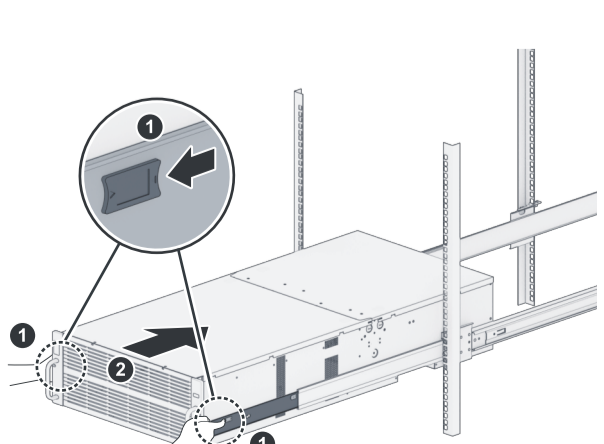
- 05** Attach the rail kit to the Synology NAS:
1 Align the fixing holes of the inner rail to the side of the chassis and slide backward to attach the inner rail.
2 Secure the inner rail screws as illustrated.



- 06** With the help of another person, carefully align the inner rails to the outer rail assembly, and push the chassis towards the rack.

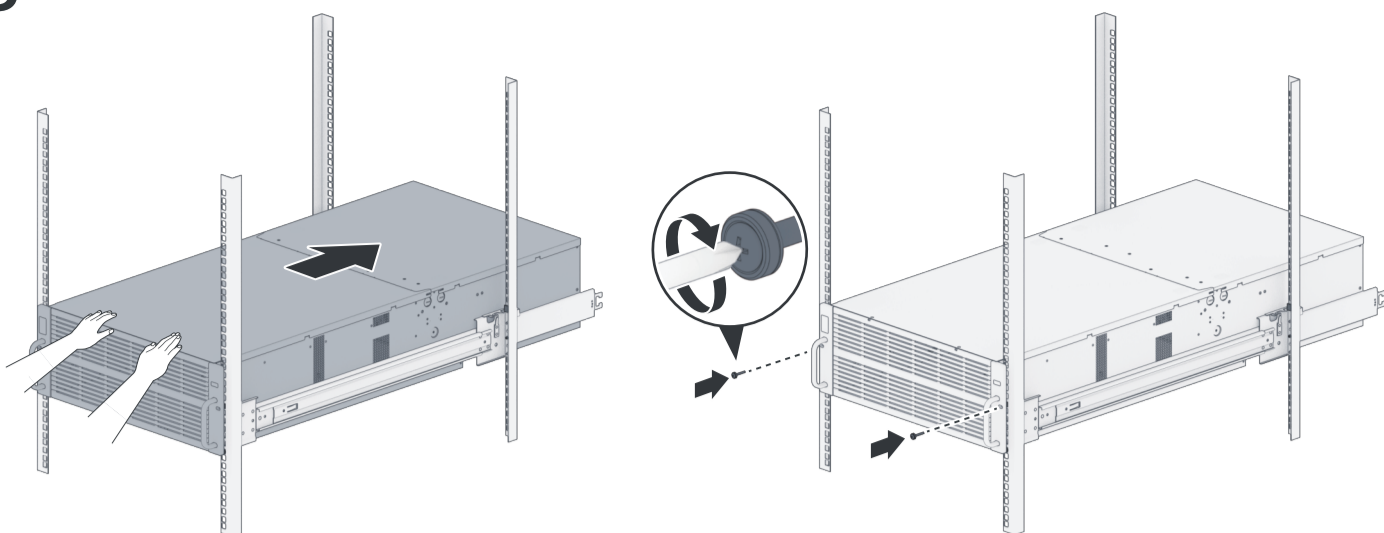


- 07** Pull the front latch of the inner rail as illustrated to unlock the inner rail, and continue pushing the chassis towards the rack.



08

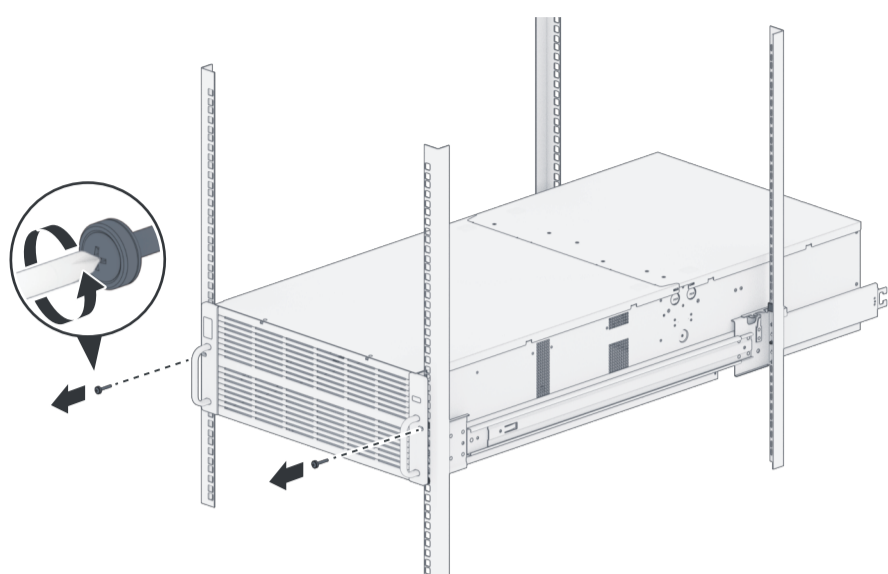
Push the chassis into the end of rack and Use the 4U screws to secure the chassis to the rack if necessary.



Removal

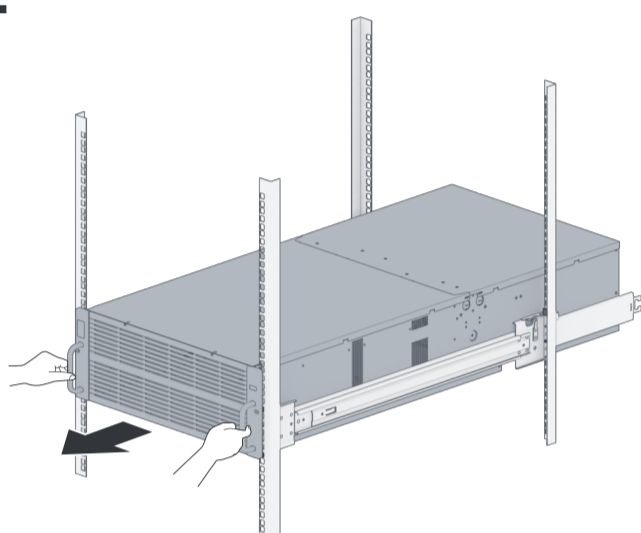
01

To remove the chassis from the rack, loosen and remove the screws from the rack.



02

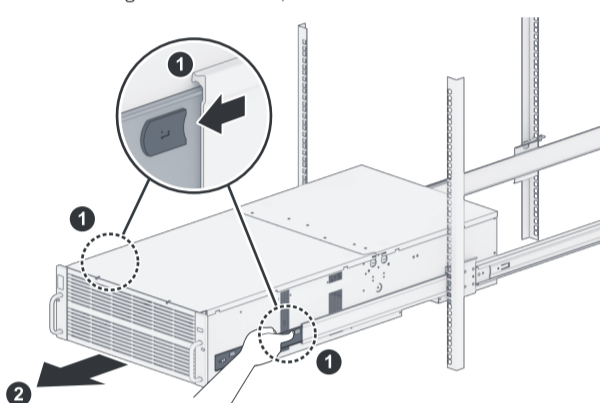
Pull out the chassis from the rack.



03

Remove the chassis from the rack:

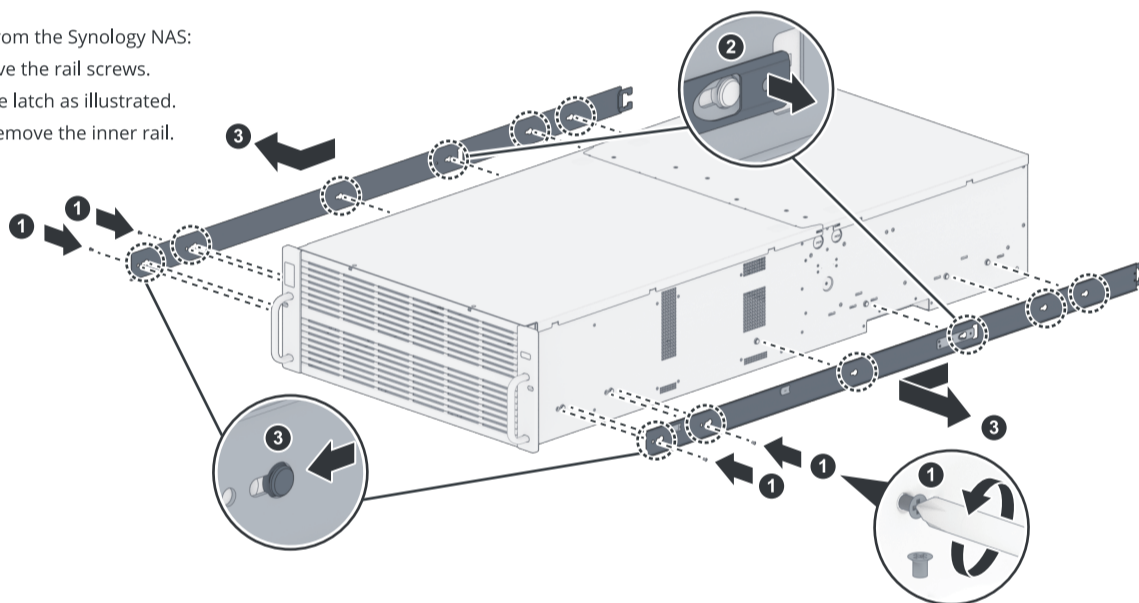
- Slide outwards the rear latch of the inner rail to unlock the inner rail from the outer rail assembly.
- With the help of another person, carefully remove the chassis from the rack. (You may remove all drives first to reduce the weight of the chassis.)



02

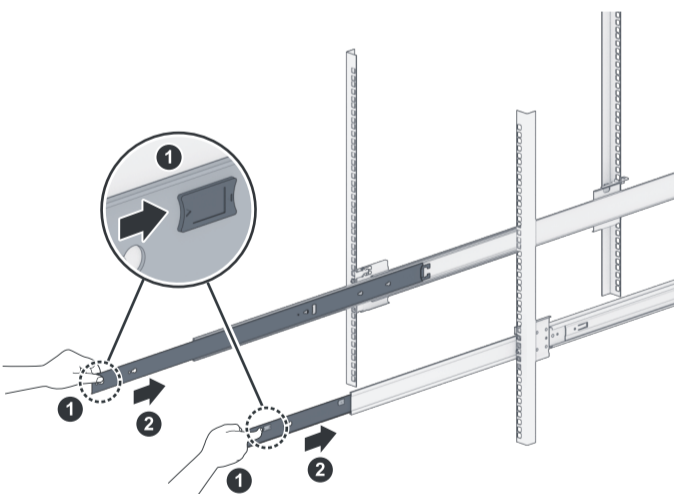
Remove the rail kit from the Synology NAS:

- Loosen and remove the rail screws.
- Pull out the middle latch as illustrated.
- Slide forward to remove the inner rail.



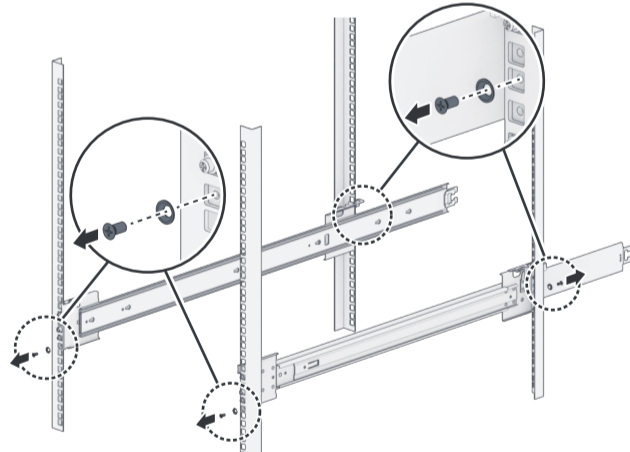
05

Hold the rear latch on the inner rail, as illustrated, and continue to push back the inner rail to the assembly.



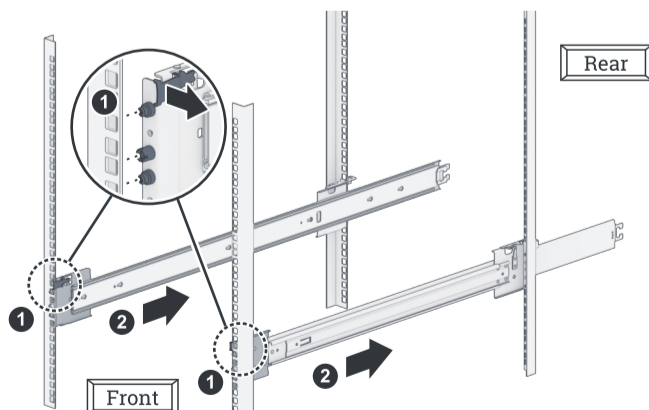
06

Loosen and remove the rail screws.



07

Pull out the brackets as illustrated, and slide the front latch backwards.



08

Remove the rail kit from the rack.

